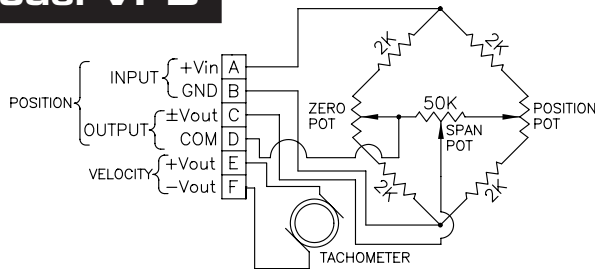


VPB Series Installation Guide

Wiring and Circuit Diagram

Model VPB



Position

Excitation Voltage..... 25 VDC or VAC Max
 Input Impedance..... 1.25K Ω
 Output Impedance..... 14.1K Ω max. @51%

Velocity

span setting
 The tachometer is self energizing and requires no input voltage.

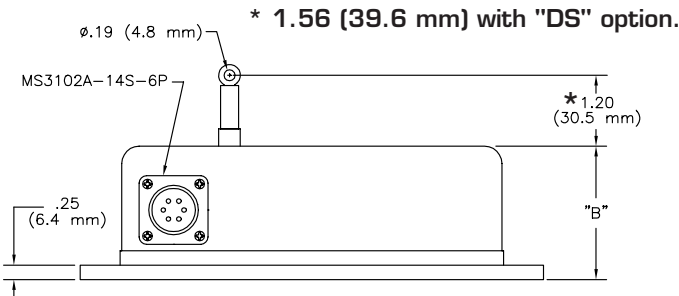
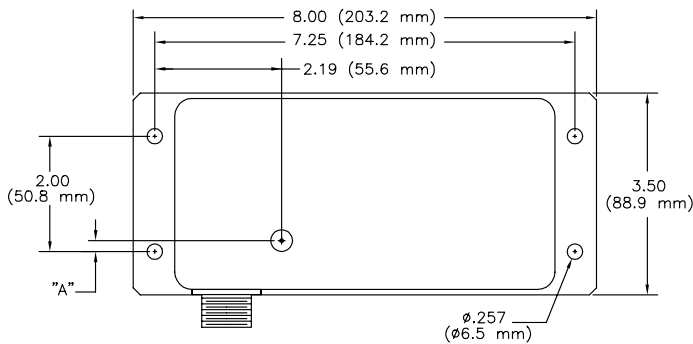
With small blade type screwdriver (.105" max. blade width X .023" max. blade thickness), adjust the Zero and Span controls on the transducer to set zero voltage output and maximum output voltage as follows.

First extend the cable of the transducer (on angular position transducers, rotate shaft) to the desired zero position. Note: The zero position may be set anywhere within the total range of the transducer. Adjust the Zero control so that a zero voltage output is obtained.

Extend the cable of the transducer (on angular position transducers, rotate shaft) to the desired maximum position relative to the selected zero position. The maximum extension from the zero position may require retraction or further extension of the cable. Adjust the Span control for the desired maximum output voltage. Note that the output voltage polarity is direction-dependent relative to the zero position. Negative output voltage indicates retraction from the zero position, while positive output voltage indicates extension from the zero position.

Dimensional Information

Ranges to 80" (2000 mm)



RANGE	DIMENSION "A"		DIMENSION "B"	
	in.	mm	in.	mm
2", 10"	0.66	16.8	2.25	57.0
3", 15", 30"	0.51	12.9	2.25	57.0
4", 20", 40"	0.35	8.8	2.25	57.0
5", 25", 50"	0.19	4.8	2.25	57.0
60"	0.04	1.0	3.25	82.6
75"	-0.20	-5.1	3.25	82.6
80"	-0.28	-7.1	3.25	82.6

Standard Series Installation Guide

OPTION "CES" SIDE CABLE EXIT

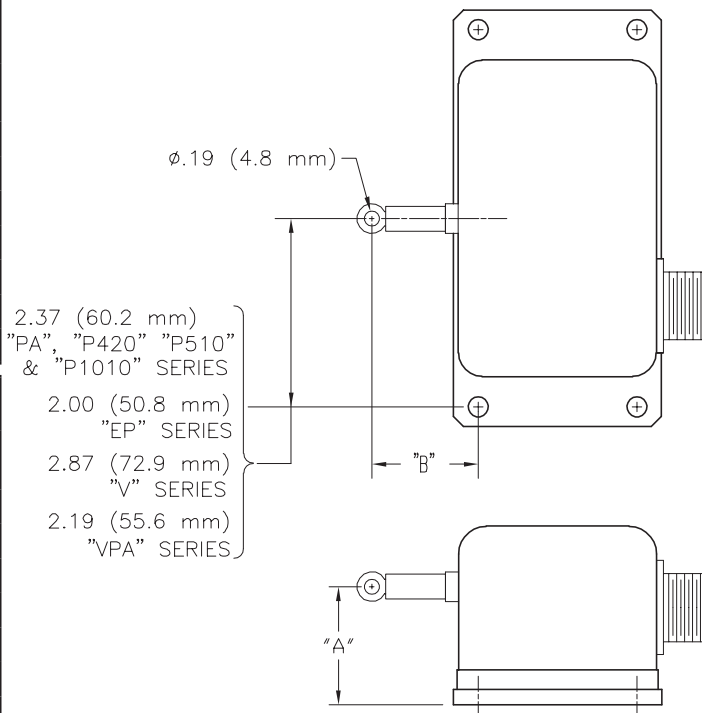
PA, PB, P420, P510, P1010, EP, V, VP SERIES

RANGE	PA, PB, P420, P510, P1010 EP, V SERIES	
	DIMENSION "A"	DIMENSION "B"*
2", 10"	1.52" (38.6 mm)	1.28" (32.5 mm)
3", 15", 30"	1.68" (42.7 mm)**	1.28" (32.5 mm)
4", 20", 40"	1.84" (46.7 mm)**	1.28" (32.5 mm)
5", 25", 50"	1.97" (50.8mm)**	1.28" (32.5 mm)
60"	2.53" (64.3 mm)	1.78" (45.2 mm)
75"	2.76" (70.2 mm)	1.78" (45.2 mm)
80"	2.84" (72.2 mm)	1.78" (45.2 mm)

RANGE	VP SERIES	
	DIMENSION "A"	DIMENSION "B"*
2", 10"	1.58" (40.1 mm)	1.68" (42.7 mm)
3", 15", 30"	1.74" (44.2 mm)**	1.68" (42.7 mm)
4", 20", 40"	1.90" (48.3 mm)**	1.68" (42.7 mm)
5", 25", 50"	2.03" (52.3 mm)**	1.68" (42.7 mm)
60"	2.59" (65.8 mm)	1.68" (42.7 mm)
75"	2.82" (71.6 mm)	1.68" (42.7 mm)
80"	2.90" (73.7 mm)	1.68" (42.7 mm)

* With "DS" (dust shield) option, add 0.36" (9.1 mm) to "B" dimensions above.

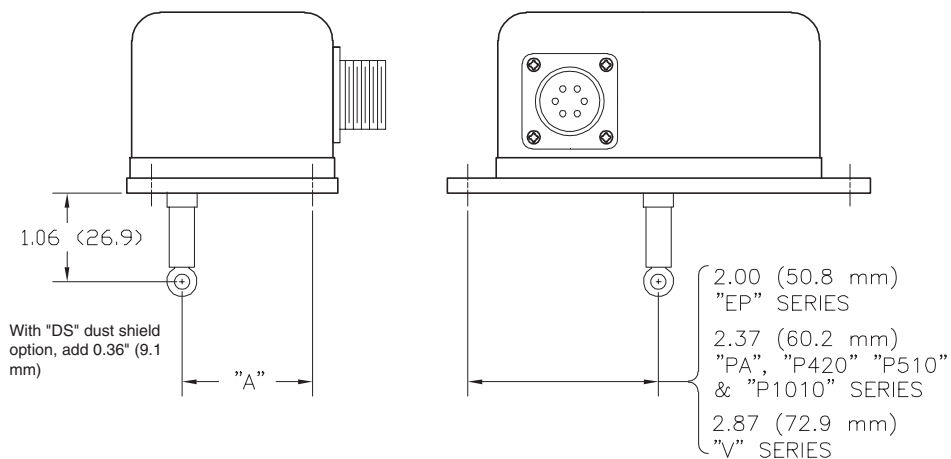
** With "HG" (high wire rope tension) option, add 0.375" to dimension shown for 30", 40" and 50" measurement ranges only.



OPTION "CEB" BOTTOM CABLE EXIT

PA, PB, P420, P510, P1010, EP, V SERIES

RANGE	DIMENSION "A"
2", 10"	1.34 (34.0 mm)
3", 15", 30"	1.49 (37.8 mm)
4", 20", 40"	1.65 (41.9 mm)
5", 25", 50"	1.81 (46.0 mm)
60"	1.96 (49.8 mm)
75"	2.20 (55.9 mm)
80"	2.28 (57.9 mm)



UniMeasure

4175 SW Research Way, Corvallis, Oregon, 97333

•Tel: (541) 757-3158 •Fax (541) 757-0858