

VPA Series Installation Guide

Wiring and Circuit Diagram

Model VPA

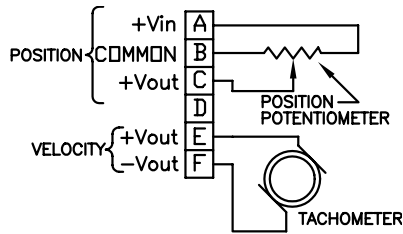
Velocity

The tachometer is self-energizing and requires no input voltage.

Position

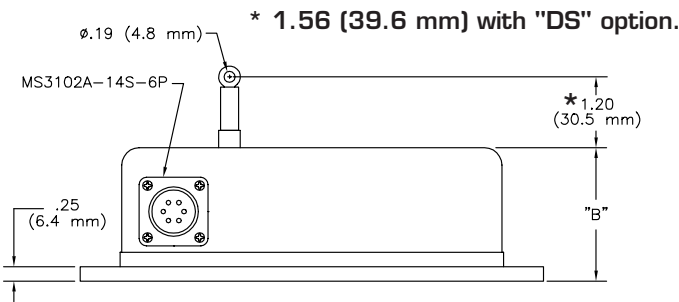
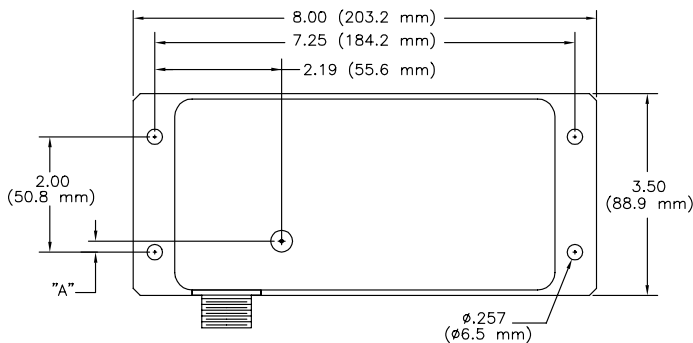
Excitation Voltage (+Vin) 25VDC or VAC Maximum
 Potentiometer Resistance 1000 ohms \pm 10%

Note: Any input voltage up to the maximum specified above may be used. However, for best performance, the input voltage should be closely regulated to insure a stable and accurate position signal output voltage.



Dimensional Information

Ranges to 80" (2000 mm)



RANGE	DIMENSION "A"		DIMENSION "B"	
	in.	mm	in.	mm
2", 10"	0.66	16.8	2.25	57.0
3", 15", 30"	0.51	12.9	2.25	57.0
4", 20", 40"	0.35	8.8	2.25	57.0
5", 25", 50"	0.19	4.8	2.25	57.0
60"	0.04	1.0	3.25	82.6
75"	-0.20	-5.1	3.25	82.6
80"	-0.28	-7.1	3.25	82.6



UniMeasure

4175 SW Research Way, Corvallis, Oregon, 97333

•Tel: (541) 757-3158 •Fax (541) 757-0858

Standard Series Installation Guide

OPTION "CES" SIDE CABLE EXIT

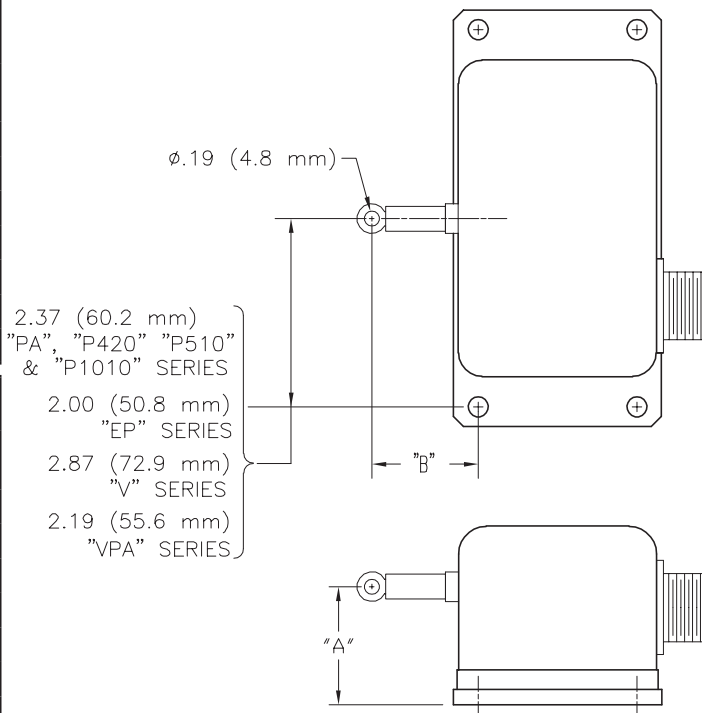
PA, PB, P420, P510, P1010, EP, V, VP SERIES

RANGE	PA, PB, P420, P510, P1010 EP, V SERIES	
	DIMENSION "A"	DIMENSION "B"*
2", 10"	1.52" (38.6 mm)	1.28" (32.5 mm)
3", 15", 30"	1.68" (42.7 mm)**	1.28" (32.5 mm)
4", 20", 40"	1.84" (46.7 mm)**	1.28" (32.5 mm)
5", 25", 50"	1.97" (50.8mm)**	1.28" (32.5 mm)
60"	2.53" (64.3 mm)	1.78" (45.2 mm)
75"	2.76" (70.2 mm)	1.78" (45.2 mm)
80"	2.84" (72.2 mm)	1.78" (45.2 mm)

RANGE	VP SERIES	
	DIMENSION "A"	DIMENSION "B"*
2", 10"	1.58" (40.1 mm)	1.68" (42.7 mm)
3", 15", 30"	1.74" (44.2 mm)**	1.68" (42.7 mm)
4", 20", 40"	1.90" (48.3 mm)**	1.68" (42.7 mm)
5", 25", 50"	2.03" (52.3 mm)**	1.68" (42.7 mm)
60"	2.59" (65.8 mm)	1.68" (42.7 mm)
75"	2.82" (71.6 mm)	1.68" (42.7 mm)
80"	2.90" (73.7 mm)	1.68" (42.7 mm)

* With "DS" (dust shield) option, add 0.36" (9.1 mm) to "B" dimensions above.

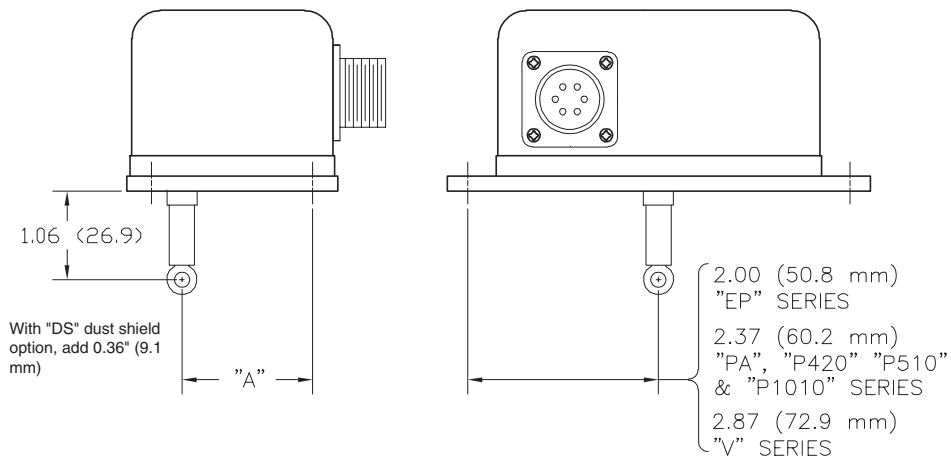
** With "HG" (high wire rope tension) option, add 0.375" to dimension shown for 30", 40" and 50" measurement ranges only.



OPTION "CEB" BOTTOM CABLE EXIT

PA, PB, P420, P510, P1010, EP, V SERIES

RANGE	DIMENSION "A"
2", 10"	1.34 (34.0 mm)
3", 15", 30"	1.49 (37.8 mm)
4", 20", 40"	1.65 (41.9 mm)
5", 25", 50"	1.81 (46.0 mm)
60"	1.96 (49.8 mm)
75"	2.20 (55.9 mm)
80"	2.28 (57.9 mm)



UniMeasure

4175 SW Research Way, Corvallis, Oregon, 97333

•Tel: (541) 757-3158 •Fax (541) 757-0858