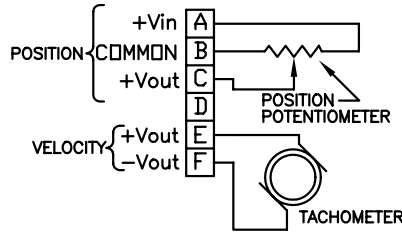


HX-VPA Series Installation Guide

Wiring and Circuit Diagram

Model HX-VPA



Velocity

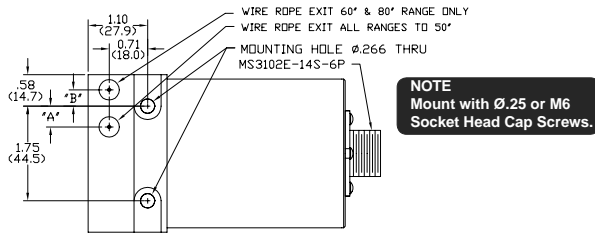
The tachometer is self-energizing and requires no input voltage.

Position

Excitation Voltage (+Vin)..... 25VDC or VAC Maximum
 Potentiometer Resistance..... 1000 ohms \pm 10%

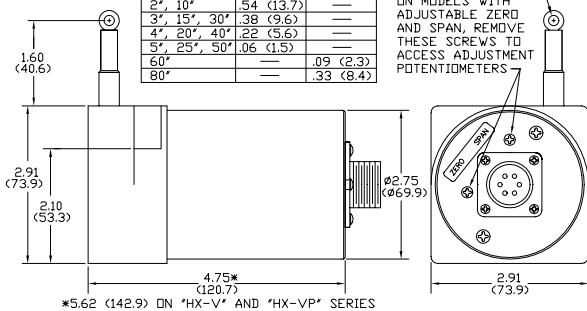
Note: Any input voltage up to the maximum specified above may be used. However, for best performance, the input voltage should be closely regulated to insure a stable and accurate position signal output voltage.

Dimensional Information



RANGE	"A"	"B"
2", 10"	.54 (13.7)	---
3", 15", 30"	.38 (9.6)	---
4", 20", 40"	.22 (5.6)	---
5", 25", 50"	.06 (1.5)	---
60"	---	.09 (2.3)
80"	---	.33 (8.4)

ϕ .19 (4.8 mm)
 ON MODELS WITH ADJUSTABLE ZERO AND SPAN, REMOVE THESE SCREWS TO ACCESS ADJUSTMENT POTENTIOMETERS



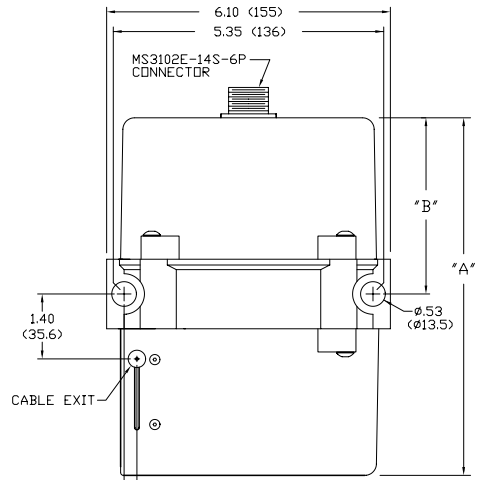
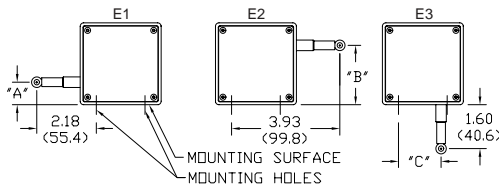
*5.62 (142.9) DN "HX-V" AND "HX-VP" SERIES

Alternate Wire Rope Exit

RANGE	"A"	"B"	"C"
2", 10"	1.12 (28.4)	1.79 (45.5)	1.21 (30.7)
3", 15", 30"	.96 (24.4)	1.95 (49.5)	1.37 (34.8)
4", 20", 40"	.80 (20.3)	2.11 (53.6)	1.53 (38.9)
5", 25", 50"	.64 (16.3)	2.27 (57.7)	1.69 (42.9)
60"	.49 (12.4)	2.42 (61.5)	1.84 (46.7)
80"	.25 (6.4)	2.66 (67.6)	2.08 (52.8)

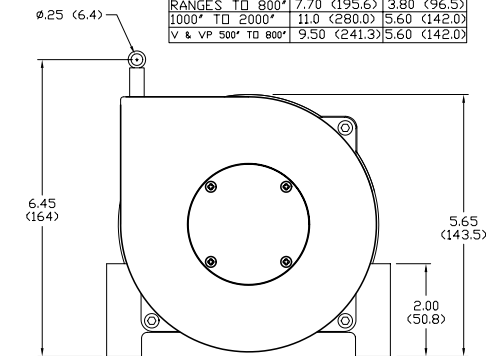
Note: Dimensions in brackets are millimeters.

Alternate Wire Rope Exit



NOTE
 Mount with ϕ .50 or M12 Socket Head Cap Screws

RANGE	DIM "A"	DIM "B"
RANGES TO 800"	7.70 (195.6)	3.80 (96.5)
1000" TO 2000"	11.0 (280.0)	5.60 (142.0)
V & VP 500" TO 800"	9.50 (241.3)	5.60 (142.0)



DIMENSIONS IN BRACKETS ARE MILLIMETERS

Alternate Wire Rope Exit

