

# EP Series Installation Guide

## Wiring and Circuit Diagram

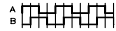
### Model EP

#### Digital Output / 2 Channel

##### Connector

A	+Vin
B	COMMON
C	CHANNEL A
D	CHANNEL B
E	N.C.
F	N.C.

##### Waveform



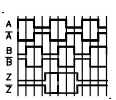
Model/Option	+ V in	OUTPUT STAGE
Standard EP, EPM, HX-EP	+5 VDC ±5%	Figure 1
H1	8 to 28 VDC	Figure 3

#### Digital Output / Line Drive with Index

##### Connector

A	+Vin
B	COMMON
C	CHANNEL A
D	CHANNEL A
E	CHANNEL B
F	CHANNEL B
G	CHANNEL Z
H	CHANNEL Z

##### Waveform



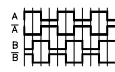
Model/Option	+ V in	OUTPUT STAGE
H2I	+5 VDC ±5%	Figure 2
H3I	8 to 28 VDC	Figure 3
H4I	8 to 28 VDC	Figure 4
H5I	+5 VDC ±5%	Figure 5

#### Digital Output / Line Drive

##### Connector

A	+Vin
B	COMMON
C	CHANNEL A
D	CHANNEL A
E	CHANNEL B
F	CHANNEL B

##### Waveform



Model/Option	+ V in	OUTPUT STAGE
H2	+5 VDC ±5%	Figure 2
H3	8 to 28 VDC	Figure 3
H4	8 to 28 VDC	Figure 4
H5	+5 VDC ±5%	Figure 5

#### Digital Output / 2 Channel with Index

##### Connector

A	+Vin
B	COMMON
C	CHANNEL A
D	CHANNEL B
E	CHANNEL Z
F	N.C.

##### Waveform



Model/Option	+ V in	OUTPUT STAGE
"I" option	+5 VDC ±5%	Figure 1
"H1" option	+8 to +28 VDC	Figure 3

#### Output Stages

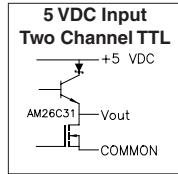


Figure 1

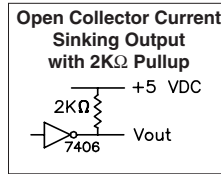


Figure 2

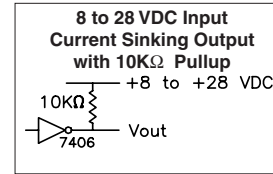


Figure 3

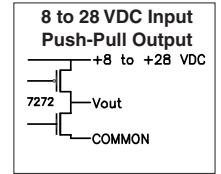


Figure 4

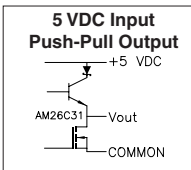
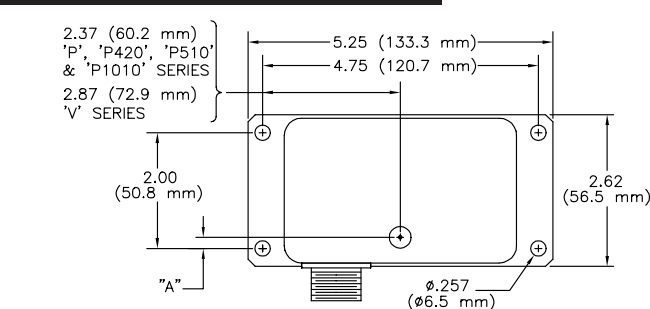


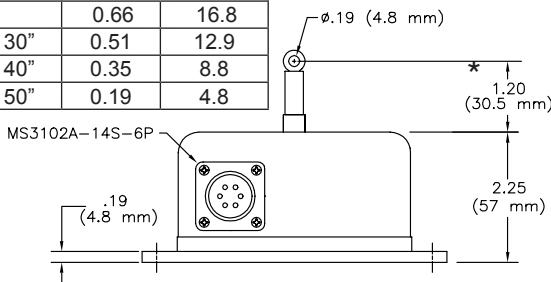
Figure 5

## Dimensional Information

### Ranges to 50" (1250 mm)

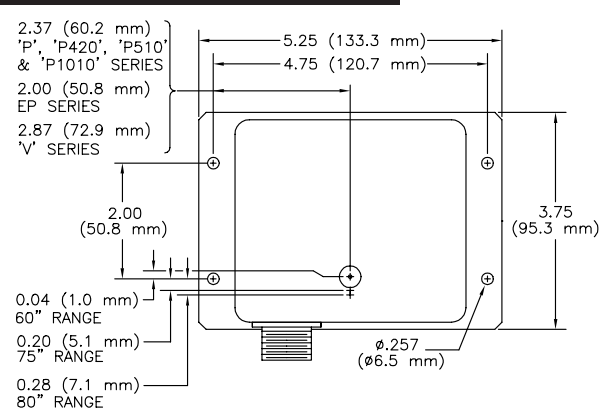


Range	"A"	
	(in.)	(mm.)
2", 10"	0.66	16.8
3", 15", 30"	0.51	12.9
4", 20", 40"	0.35	8.8
5", 25", 50"	0.19	4.8

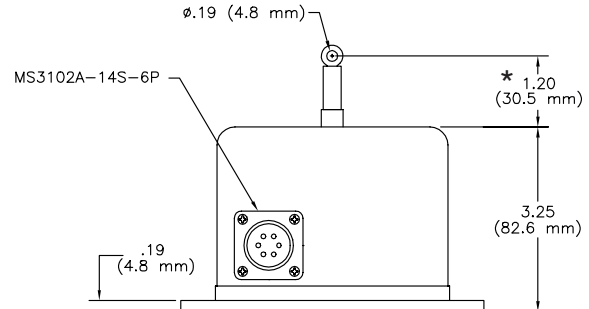


\* 1.56 (39.6 mm) with "DS" option.

### Ranges to 80" (2000 mm)



0.04 (1.0 mm)  
60" RANGE  
0.20 (5.1 mm)  
75" RANGE  
0.28 (7.1 mm)  
80" RANGE



\* 1.56 (39.6 mm) with "DS" option.



**UniMeasure**

4175 SW Research Way, Corvallis, Oregon, 97333  
•Tel: (541) 757-3158 •Fax (541) 757-0858

# Standard Series Installation Guide

## OPTION "CES" SIDE CABLE EXIT

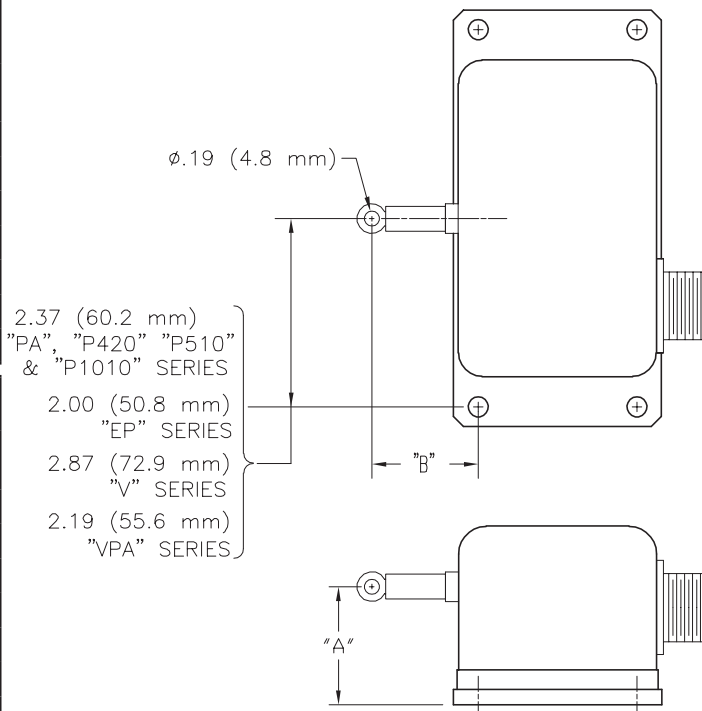
### PA, PB, P420, P510, P1010, EP, V, VP SERIES

RANGE	PA, PB, P420, P510, P1010 EP, V SERIES	
	DIMENSION "A"	DIMENSION "B"*
2", 10"	1.52" (38.6 mm)	1.28" (32.5 mm)
3", 15", 30"	1.68" (42.7 mm)**	1.28" (32.5 mm)
4", 20", 40"	1.84" (46.7 mm)**	1.28" (32.5 mm)
5", 25", 50"	1.97" (50.8mm)**	1.28" (32.5 mm)
60"	2.53" (64.3 mm)	1.78" (45.2 mm)
75"	2.76" (70.2 mm)	1.78" (45.2 mm)
80"	2.84" (72.2 mm)	1.78" (45.2 mm)

RANGE	VP SERIES	
	DIMENSION "A"	DIMENSION "B"*
2", 10"	1.58" (40.1 mm)	1.68" (42.7 mm)
3", 15", 30"	1.74" (44.2 mm)**	1.68" (42.7 mm)
4", 20", 40"	1.90" (48.3 mm)**	1.68" (42.7 mm)
5", 25", 50"	2.03" (52.3 mm)**	1.68" (42.7 mm)
60"	2.59" (65.8 mm)	1.68" (42.7 mm)
75"	2.82" (71.6 mm)	1.68" (42.7 mm)
80"	2.90" (73.7 mm)	1.68" (42.7 mm)

\* With "DS" (dust shield) option, add 0.36" (9.1 mm) to "B" dimensions above.

\*\* With "HG" (high wire rope tension) option, add 0.375" to dimension shown for 30", 40" and 50" measurement ranges only.



## OPTION "CEB" BOTTOM CABLE EXIT

### PA, PB, P420, P510, P1010, EP, V SERIES

RANGE	DIMENSION "A"
2", 10"	1.34 (34.0 mm)
3", 15", 30"	1.49 (37.8 mm)
4", 20", 40"	1.65 (41.9 mm)
5", 25", 50"	1.81 (46.0 mm)
60"	1.96 (49.8 mm)
75"	2.20 (55.9 mm)
80"	2.28 (57.9 mm)

