



## Key Features

- Wind Speed & Direction Sensor
- 0-60m/s (116 knots) Wind Speed
- 0-359° Wind Direction
- NMEA output
- Low Power consumption
- Fast start-up
- Solid-state – maintenance-free
- Corrosion Free

The Gill WindSonic is a low-cost anemometer, which utilises Gill's proven ultrasonic technology to provide wind speed and direction data via one serial or two analogue outputs. To confirm correct operation, outputs are transmitted together with an instrument status code.

With a robust, corrosion-free polycarbonate housing, this small, lightweight wind sensor is recommended for use in harsh environmental conditions and is particularly suited to marine & offshore (ships, data buoys) and land based installations. The WindSonic has no moving parts, offering maintenance-free operation in a wide range of applications.



### Wind Speed

Range	0 - 60 m/s (116 knots)
Accuracy	±2% @12 m/s
Resolution	0.01 m/s (0.02 knots)
Response Time	0.25 seconds
Threshold	0.01 m/s

### Direction

Range	0 - 359° (No dead band)
Accuracy	±3° @12 m/s
Resolution	1°
Response Time	0.25 seconds

### Measurement

Ultrasonic Output Rate	0.25, 0.5, 1, 2 or 4 Hz
Parameters	Wind Speed & Direction or U and V (vectors)
Units of Measure	m/s, knots, mph, kph, ft/min

### Outputs

Option 1	RS232
Option 2	RS232 + RS422 + RS485 + NMEA*
Option 3	RS232 + RS422 + RS485 + NMEA* 0-5 V or, 0-20mA or 4-20mA
Option 4	SDI-12 (refer to manual for technical specification)
Baud Rate	2400 to 38400
Anemometer Status	Supplied as part of standard message

\* NMEA 0183

\*\* Download software free from [www.gill.co.uk](http://www.gill.co.uk)

### Power Requirement

Anemometer	5-30 VDC Option 1 & 2
	7-30 VDC Option 3
	9-30 VDC Option 4
	From 5.5mA @ 12 V
	Start up time < 5 seconds

### Mechanical

External Construction	LURAN S KR 2861/1C ASA/PC
Size	142mm x 160mm
Weight	0.5kg

### Environmental

Protection Class	IP65
Operating Temperature	-35°C to +70°C
Storage Temperature	-40°C to +80°C
Operating Humidity	< 5% to 100% RH
EMC	EN 61326: 1998

### Operational

MTBF	15 years
Warranty	2 years
Factory Calibration	Traceable to National Standards

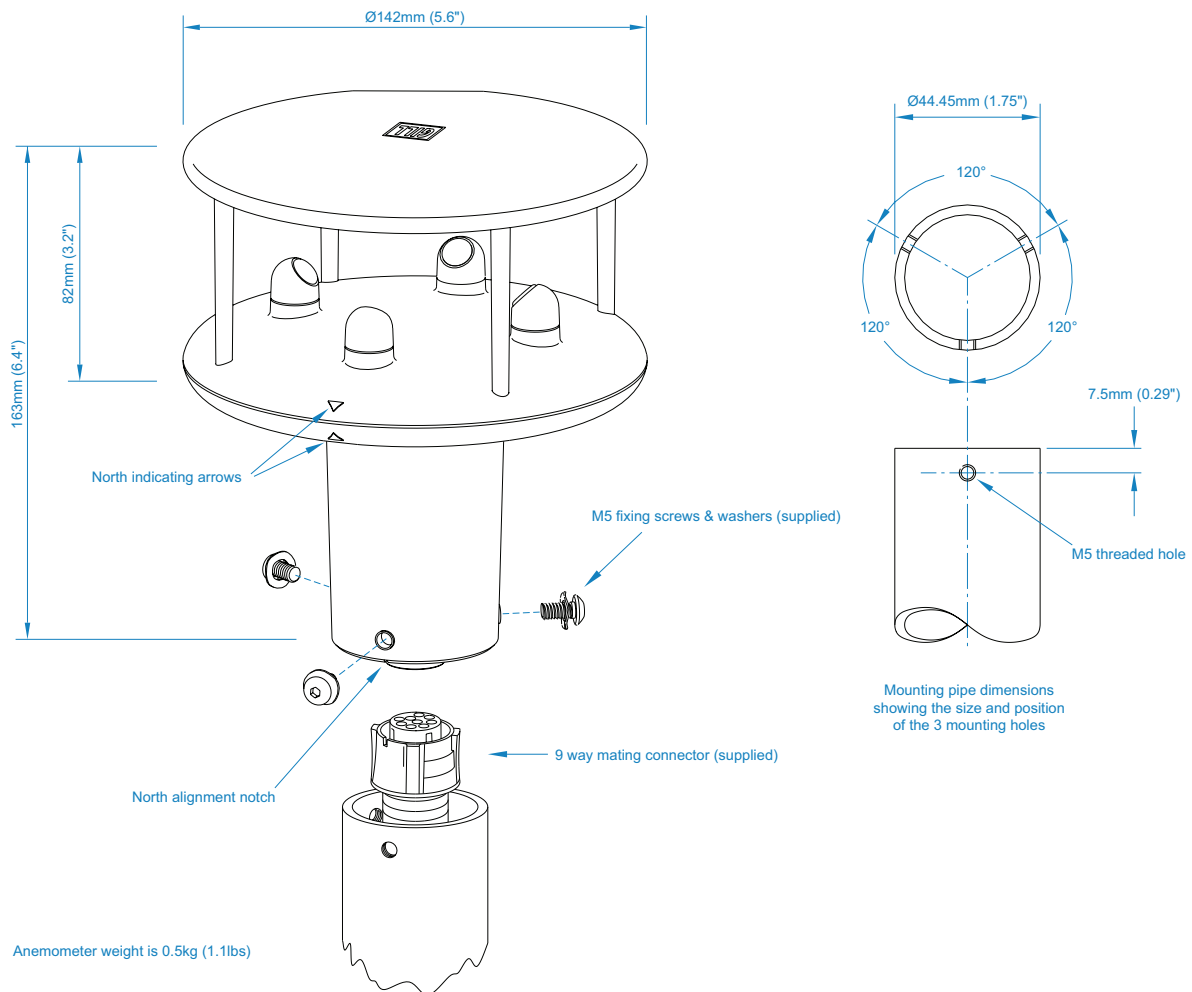
### Accessories

Pipe Mounting	44.45mm (1.75 in) diameter
Wind Software	Display / Logging**
Cables	Available to match output options
Display	See Gill Display datasheet

## Wind Speed & Direction Sensor

### Typical Applications

- Remote weather monitoring stations
- Building controls
- Data buoys
- Marine vessels
- Road & rail tunnels
- Environmental field sites
- Ports & harbours
- Mobile weather monitoring vehicles
- Small airports & helipads
- Coastal weather monitoring stations



Specifications may be subject to change without prior notice.



**Gill Instruments Ltd**  
Saltmarsh Park  
67 Gosport Street  
Lymington  
Hampshire  
SO41 9EG, UK

T: +44 (0) 1590 613 500  
F: +44 (0) 1590 613 555  
E: [anem@gill.co.uk](mailto:anem@gill.co.uk)

[www.gill.co.uk](http://www.gill.co.uk)



Copyright © Gill Instruments 2011  
D304 - Iss 1

Gill Instruments Ltd  
Reg No. 3154453 Registered Office: The George Business Centre, Christchurch Road, New Milton, BH25 6QJ